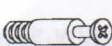








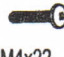
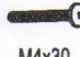



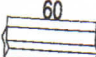


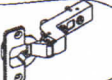

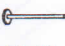

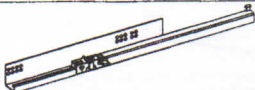
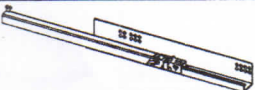

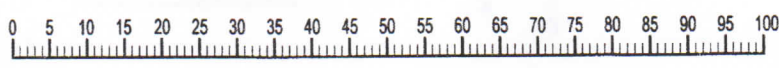
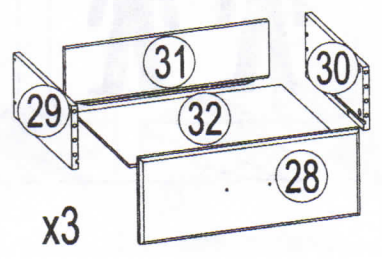
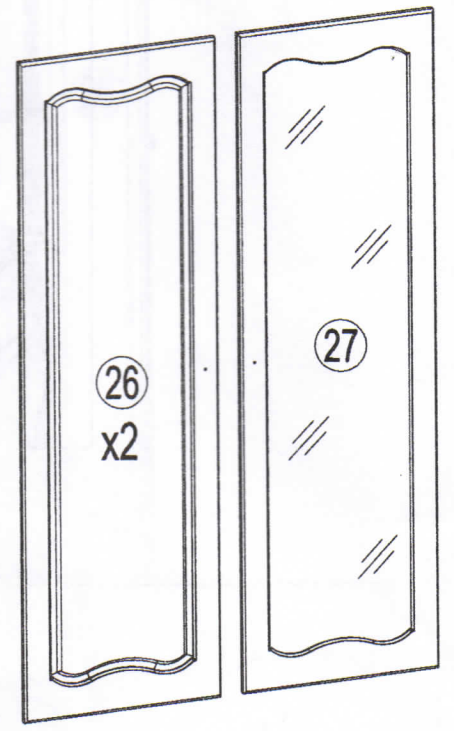
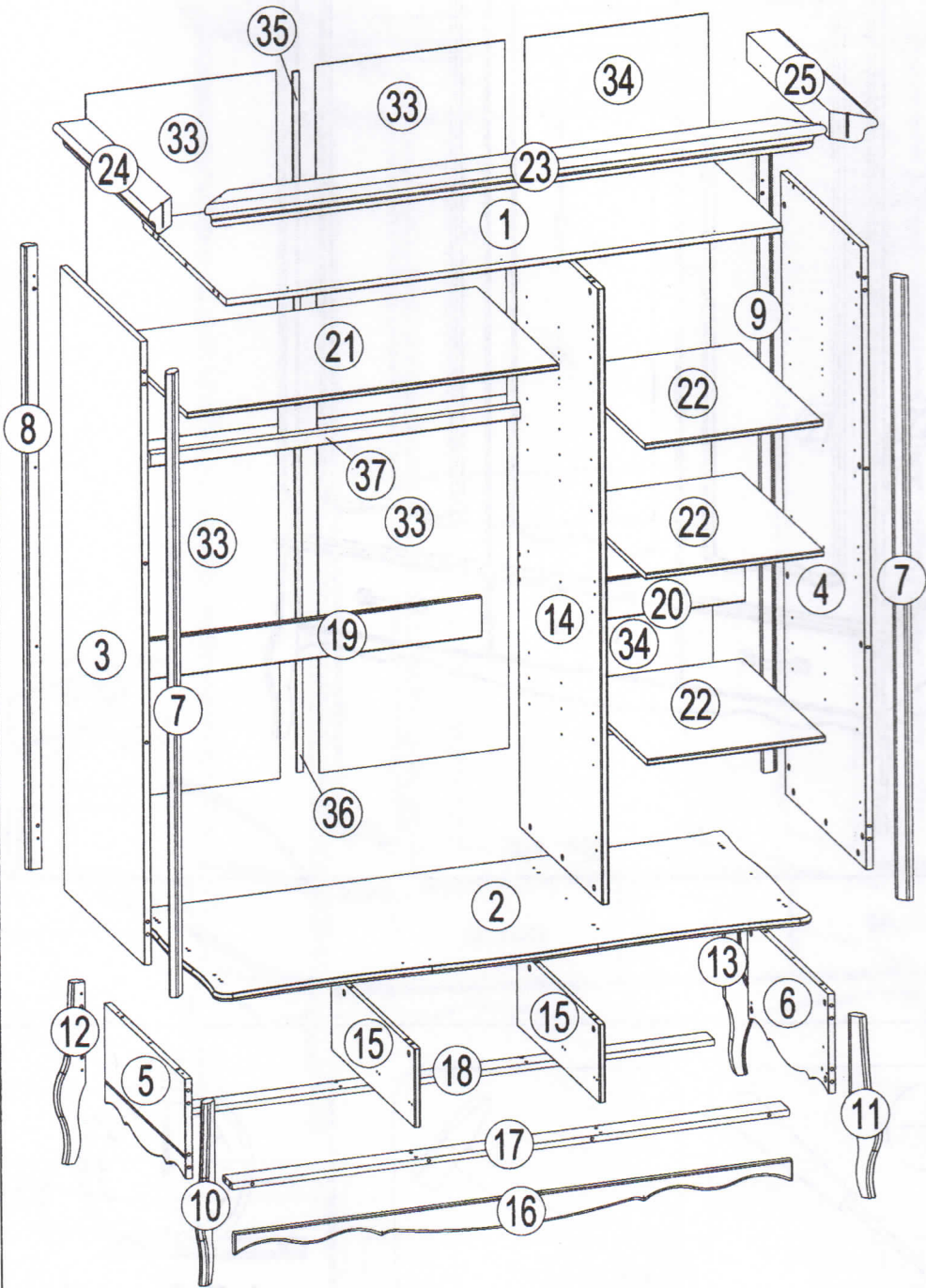
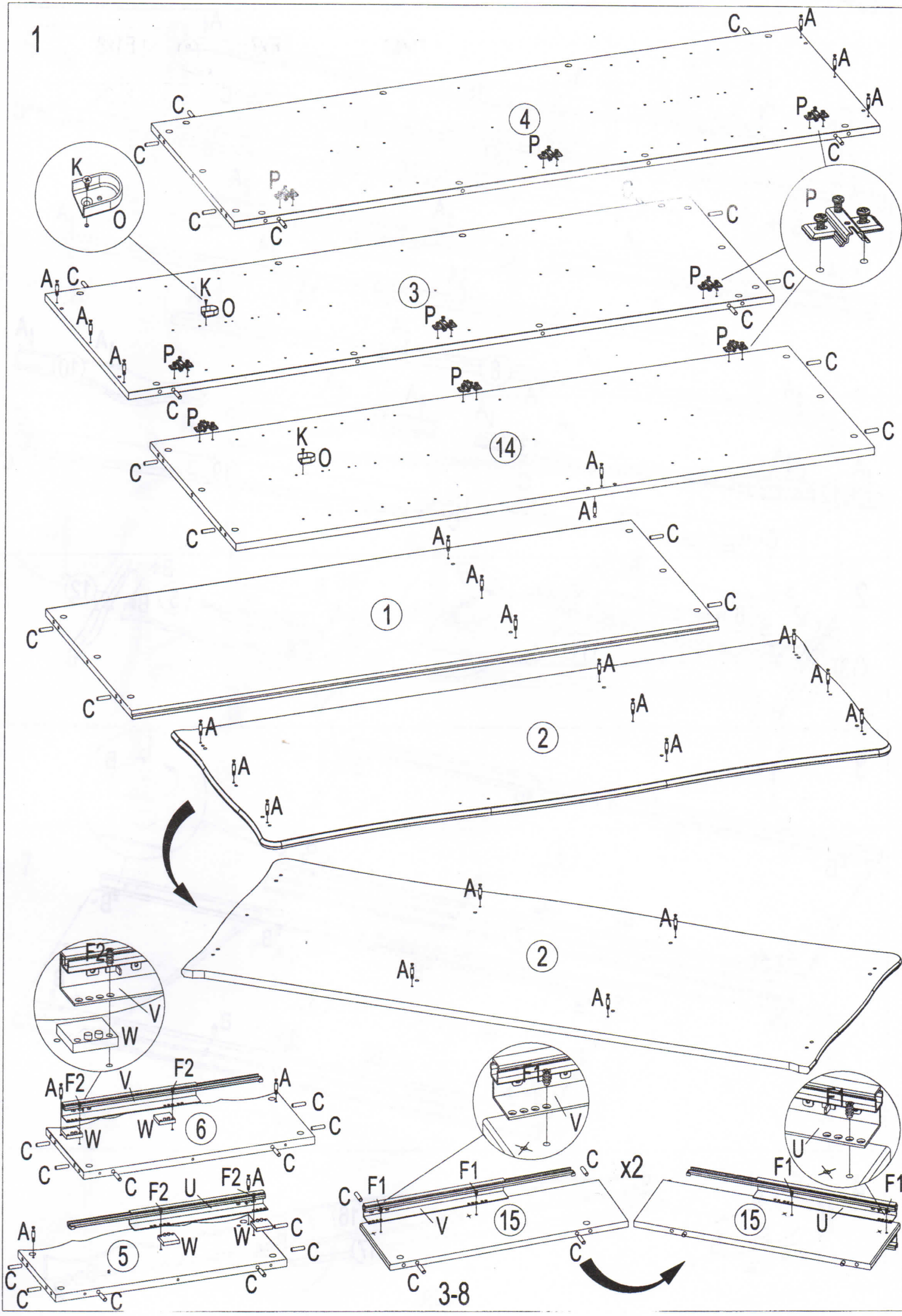


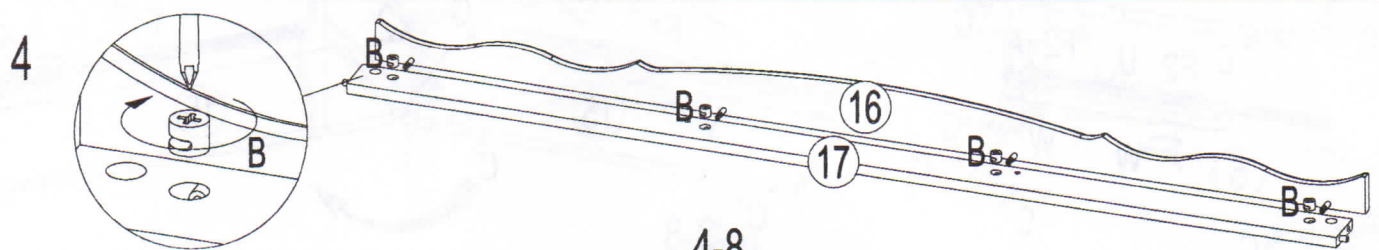
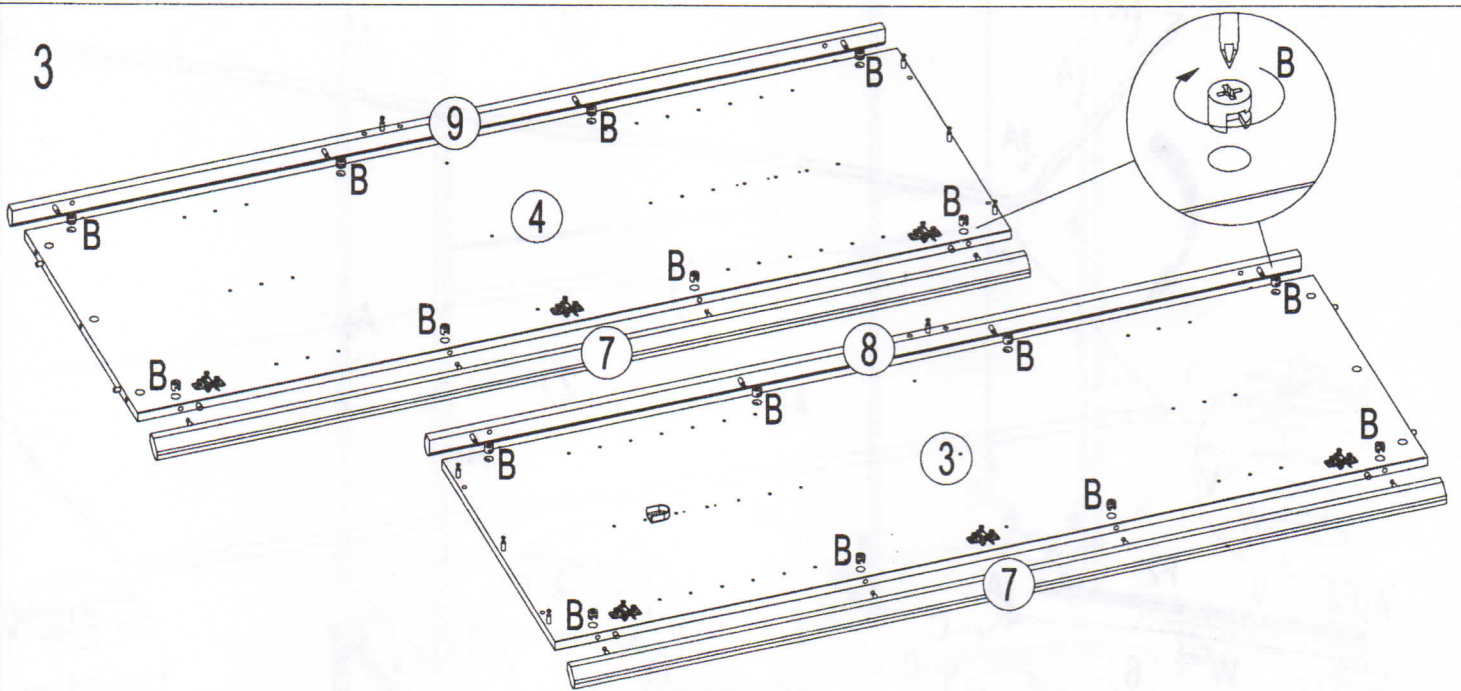
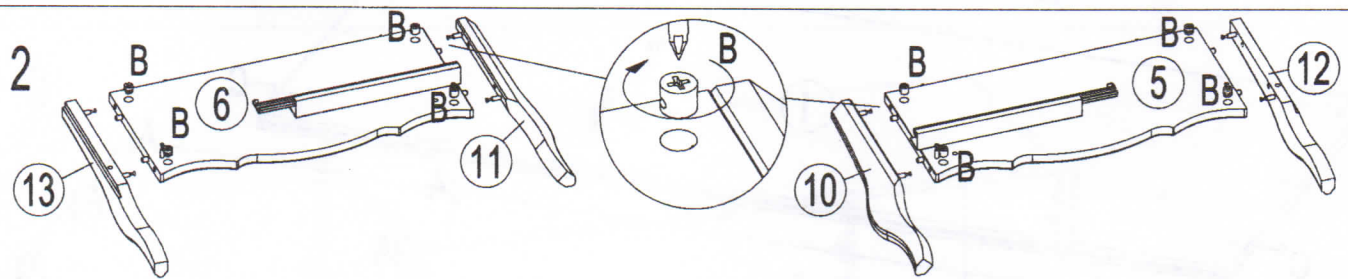
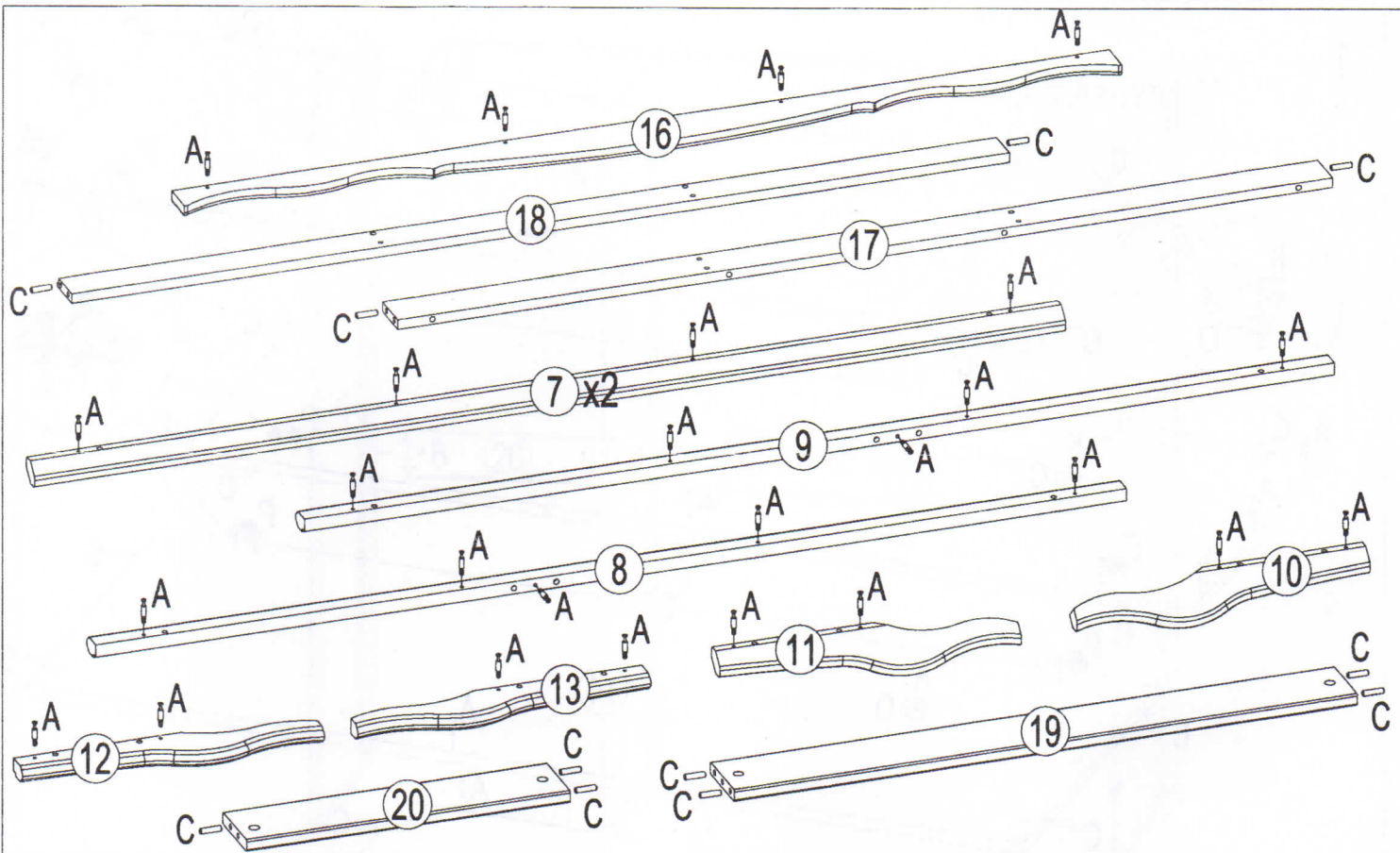
120 min

Ax70 	Bx70 	Cx75 	Dx10  7x50	Ex7 	F1x8 
F2x4 	Gx3 	Hx3 	Ix6  M4x22	Jx3  M4x30	Kx34  Ø3.5x15
Lx12  Ø4x35	Mx2 	Nx2  60	Ox2 	Px9 	Qx9 
Rx24 	Sx100  1,2x20	Tx1 	Ux3 	Vx3 	
Wx4 					

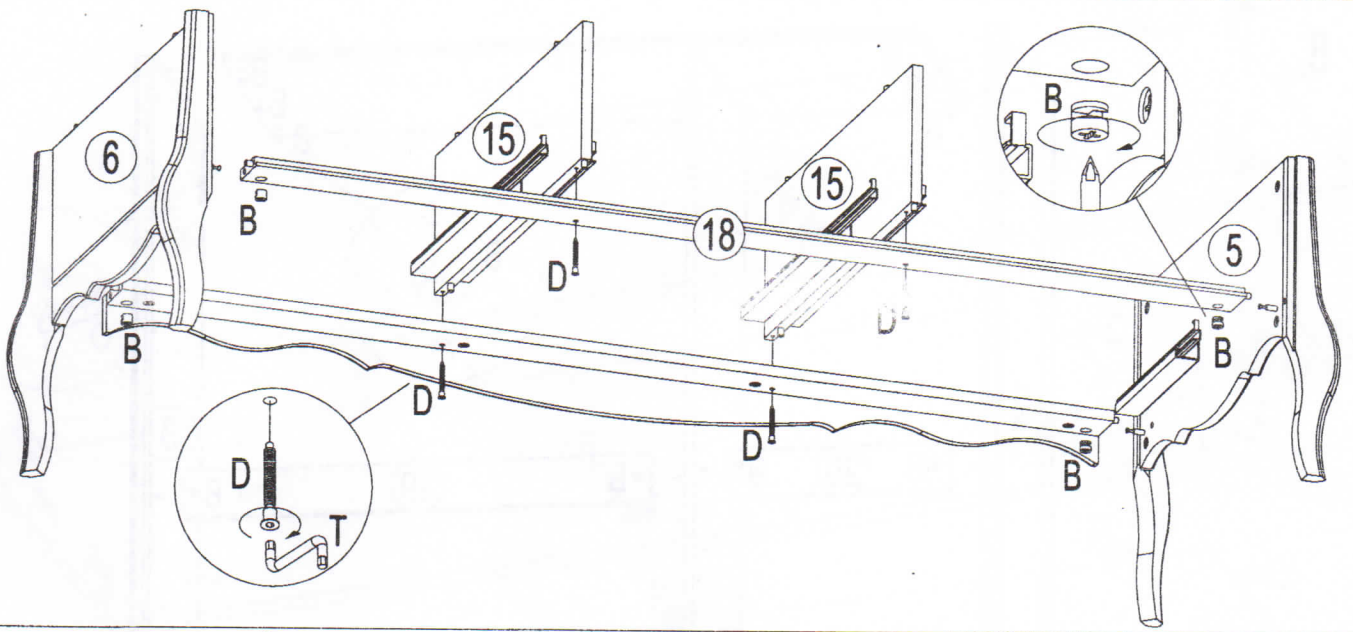


1

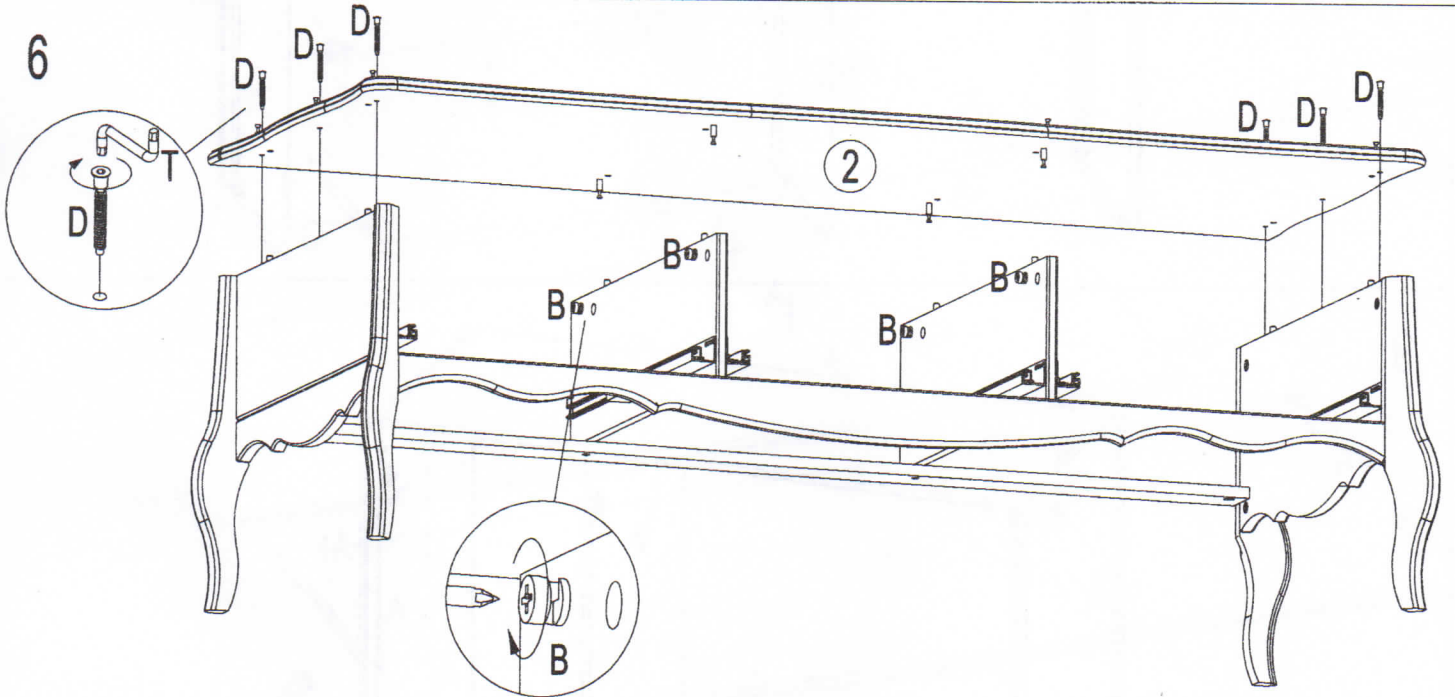




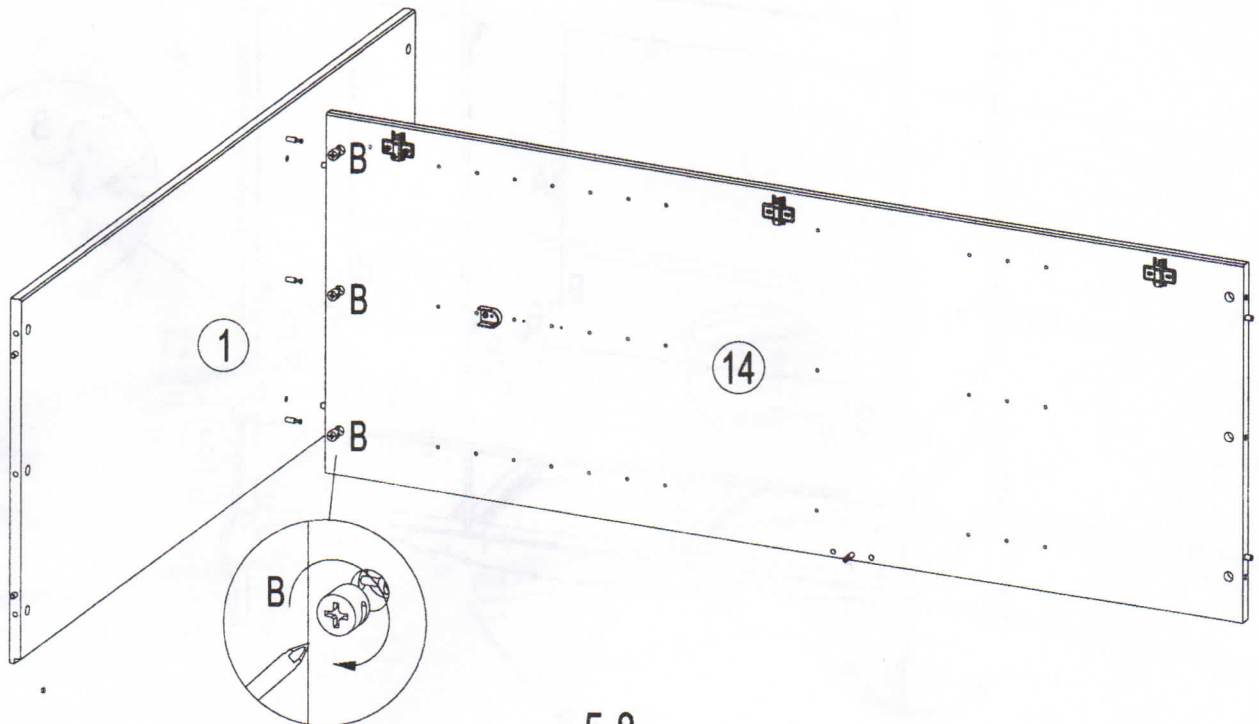
5



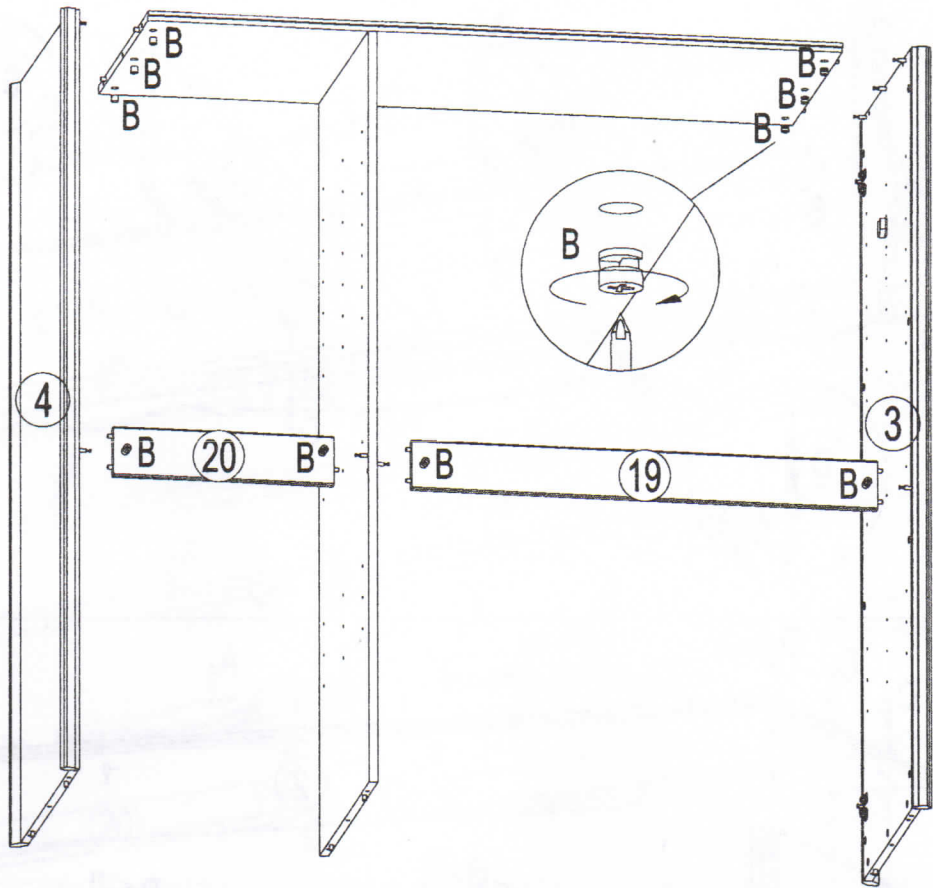
6



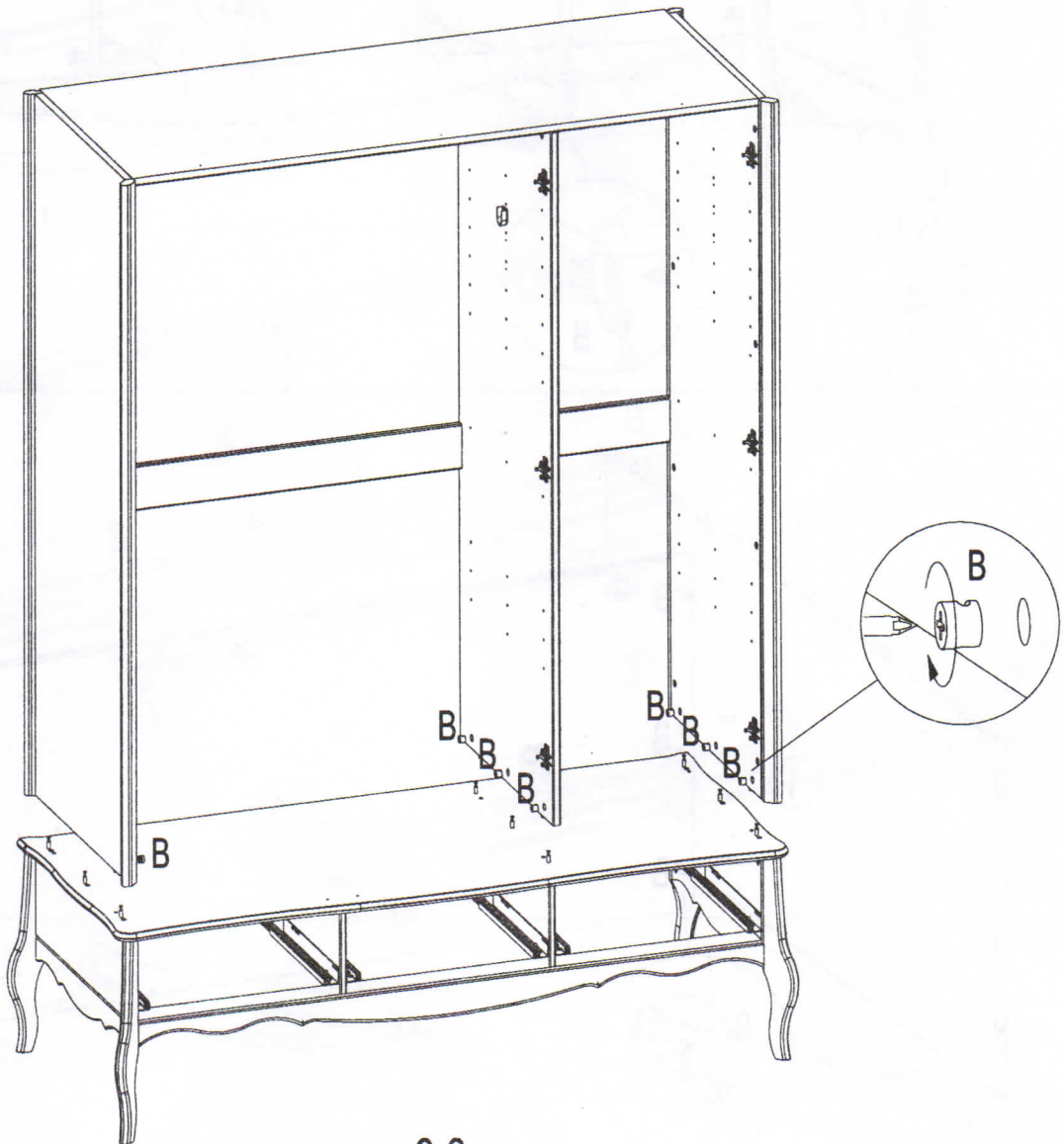
7

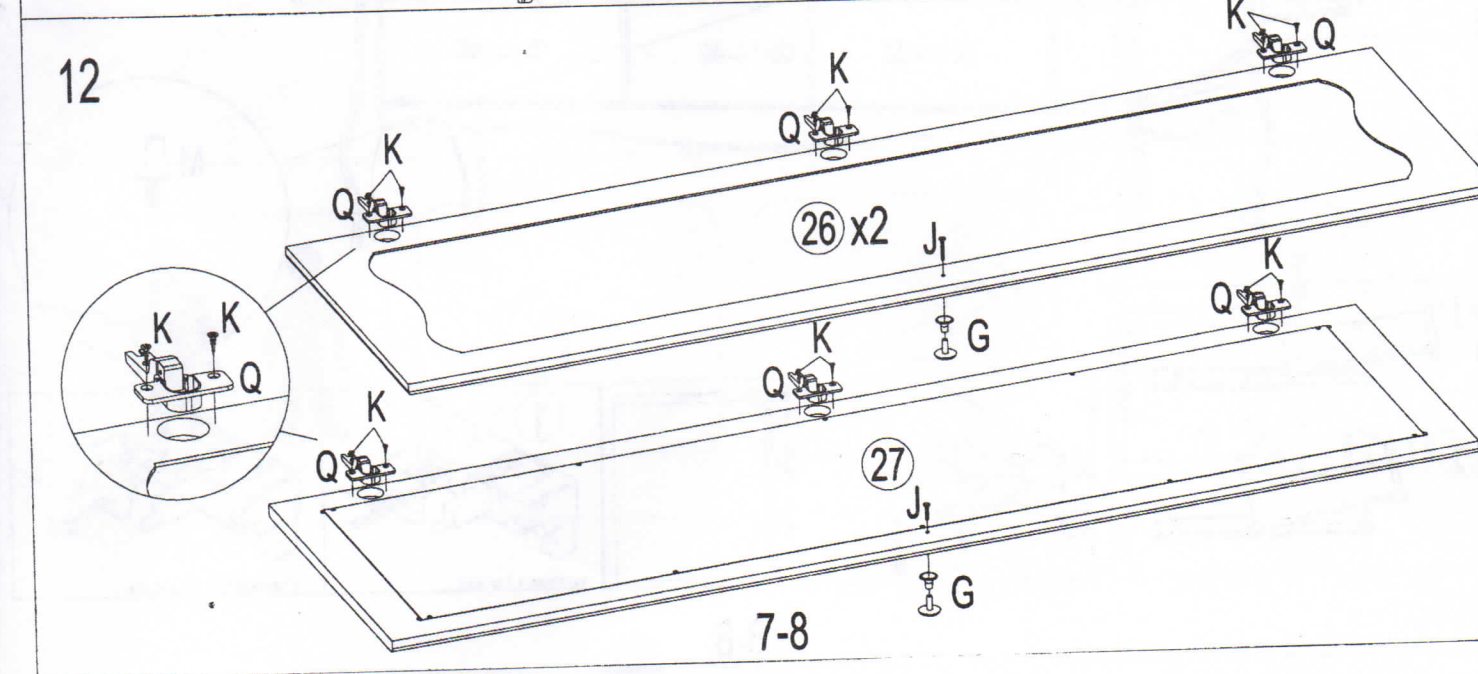
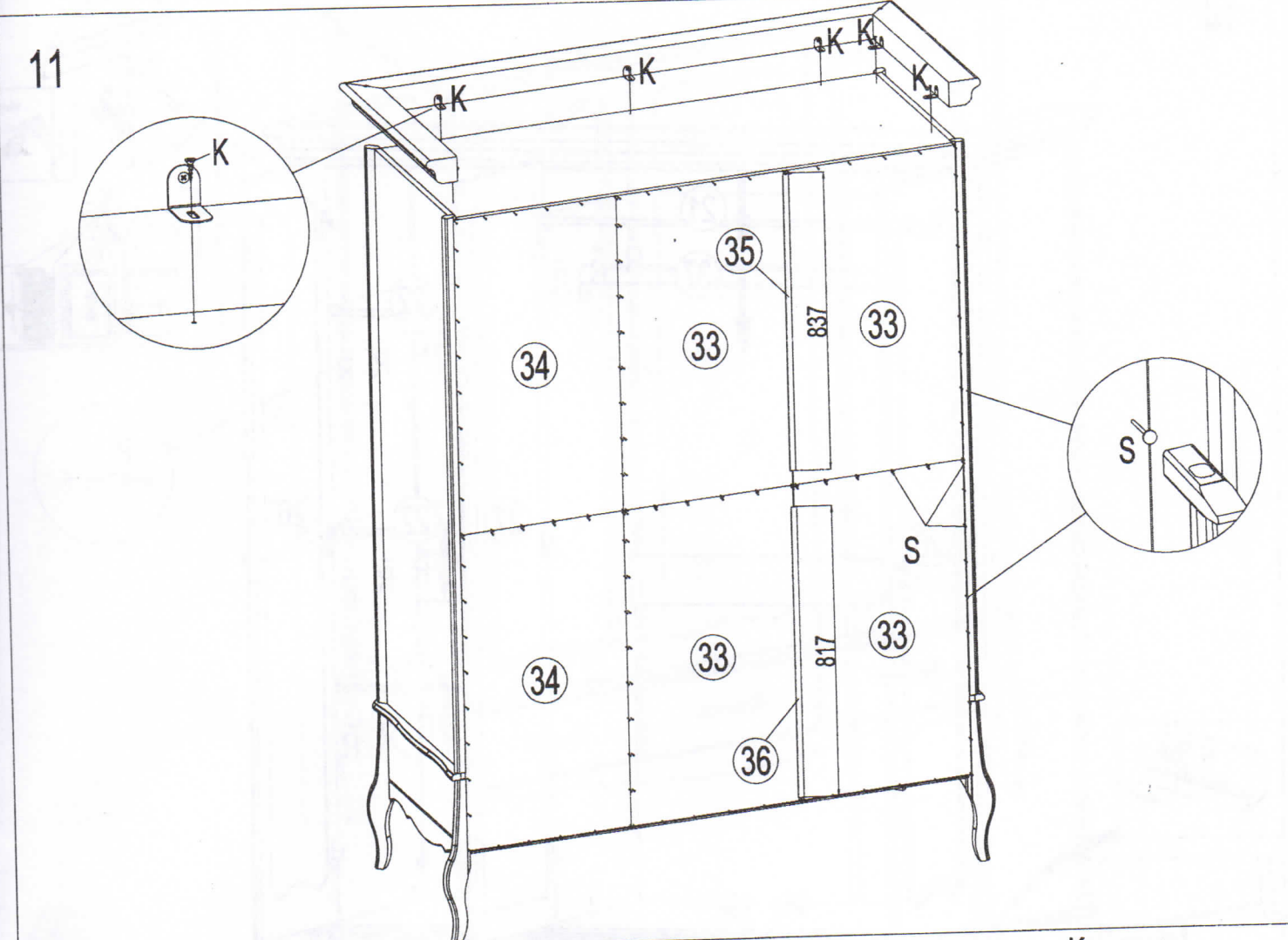
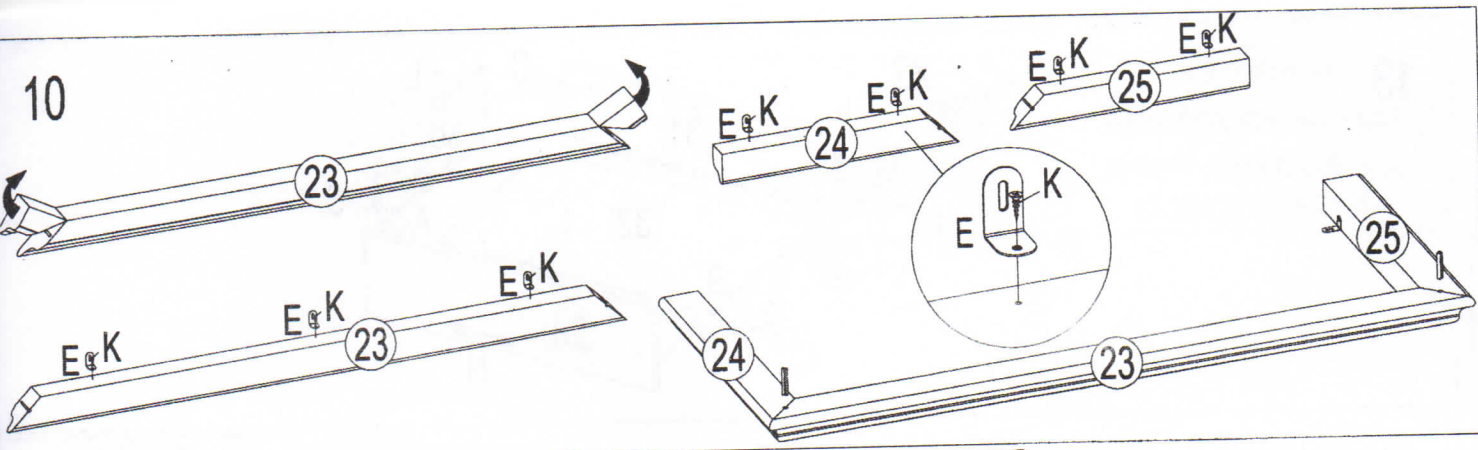


8

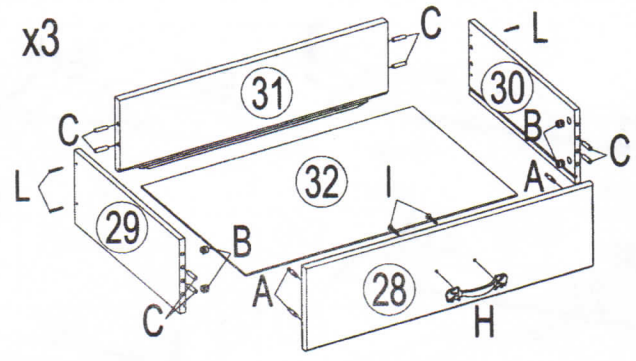


9





13



14

